



Fantech
Your Ventilation Solutions Company

HEPA DM 3000 Air Filtration System

IMPORTANT - PLEASE READ THIS MANUAL BEFORE INSTALLING UNIT

CAUTION - Before installation, careful consideration must be given to how this system will operate if connected to any other piece of mechanical equipment, i.e. a forced air furnace or air handler, operating at a higher static pressure.



Your Fantech HEPA Filtration system should be installed in conformance with the appropriate local, provincial or state requirements or in the absence of such requirements with the current edition of the National Building Code, and / or ASHRAE's " Good Engineering Practices".

HEPA Filtration

INSTALLATION, OPERATION AND MAINTENANCE MANUAL

TABLE OF CONTENTS

WARRANTY	
SPECIFICATION.....	3
INSTALLATION	4
SERVICE.....	5
MAINTENANCE REPORT.....	6

WARRANTY

The Best Limited Warranty in the Business

- The maintenance free motors are permanently lubricated and are guaranteed for 7 years. They are factory balanced to prevent vibrations and promote silent operation.
- All other components have a 5 year limited warranty. (filters not included)
- The limited warranty covers normal use. It does not apply to any defects, malfunctions or failures as a result of improper installation, abuse, mishandling or misapplication, fortuitous occurrence or any other circumstances outside manufacturer's control.
- The warranty is in effect for 5 years on parts and 7 years on the motor after the date of purchase, including parts replaced during this time period. If there is no proof of purchase available, the date associated with the serial number will be used for the beginning of the warranty period. Parts are a 1 year warranty when replaced after the initial warranty has expired.
- This warranty is the exclusive and only warranty in effect and all other warranties either expressed or implied are invalid.
- Warranty from the manufacturer is for parts only and does not include labor or shipping to service or repair them.

INTRODUCTION

HEPA AIR FILTRATION SYSTEMS

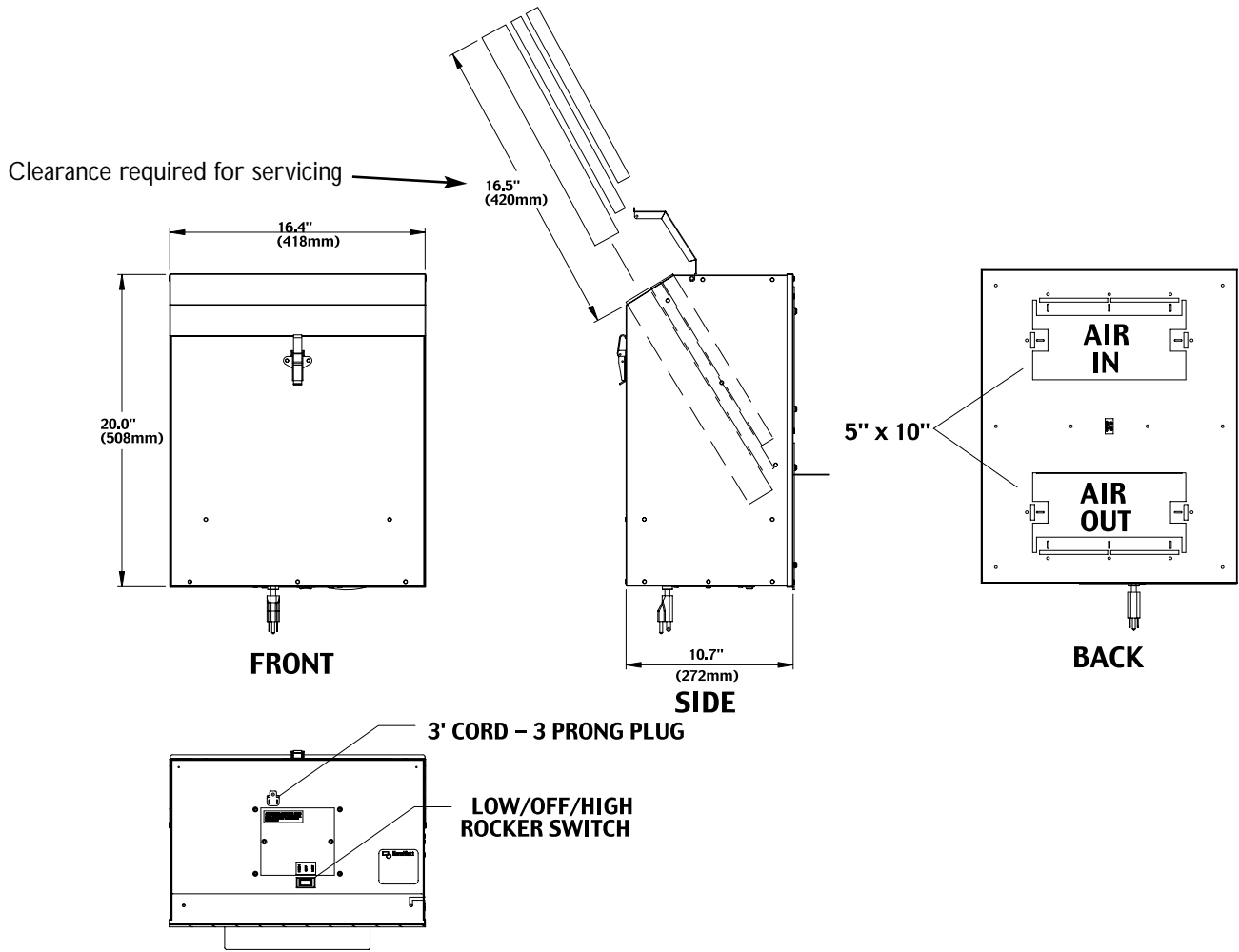
Congratulations! You have purchased a very effective air cleaning and treatment system incorporating HEPA (High Efficiency Particulate Arrestance) filter technology. This is the type of air cleaning equipment that respiratory specialists recommend most.

To optimize the performance of your HEPA Filtration System, it should be installed by a professional contractor who is familiar with your indoor air quality situation and the operation of other heating, ventilation and air conditioning equipment that you may have.

SPECIFICATION

Model DM 3000 - Duct Mounted

Kit (Included): - installation manual



OPERATION

Your Fantech HEPA filtration system incorporates three stages of filtration. Air is drawn from the house via one of the installation examples, found in this manual, by a powerful efficient EBM fan. The air is cleaned as it passes through the filters, where it is then reintroduced back into the home, cleaned of the majority of harmful particles.

Note: A semi-annual service schedule must be followed to ensure the HEPA unit is operating at its full potential.

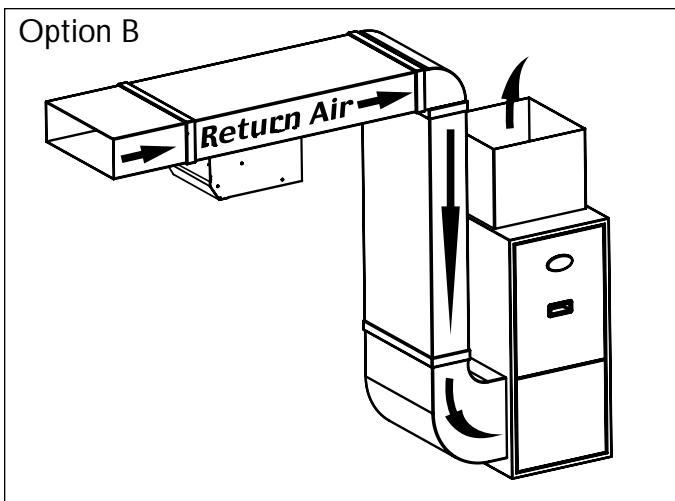
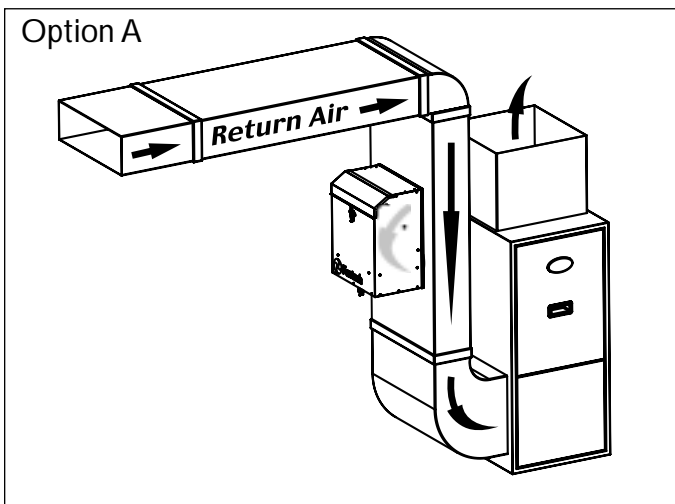
INSTALLATION

* Diagrams are examples only. Actual installation may vary.

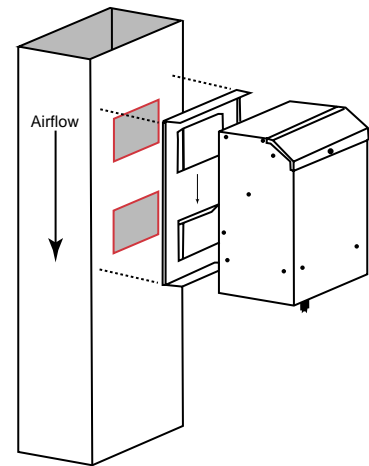
DM 3000 - Duct Mounted model

The return side of the furnace is the recommended location for the HEPA to connect to. The supply side is normally avoided due to the higher static pressure.

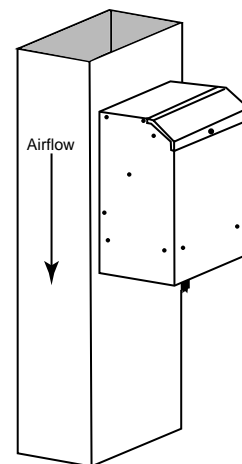
* Furnace fan should operate continuous or when HEPA unit is on and running. (Options A & B)



DM 3000 - (installation examples)



1. Using mounting plate, mark holes on furnace return duct to be cut.
2. Cut holes in desired location and attach mounting plate to duct with screws.



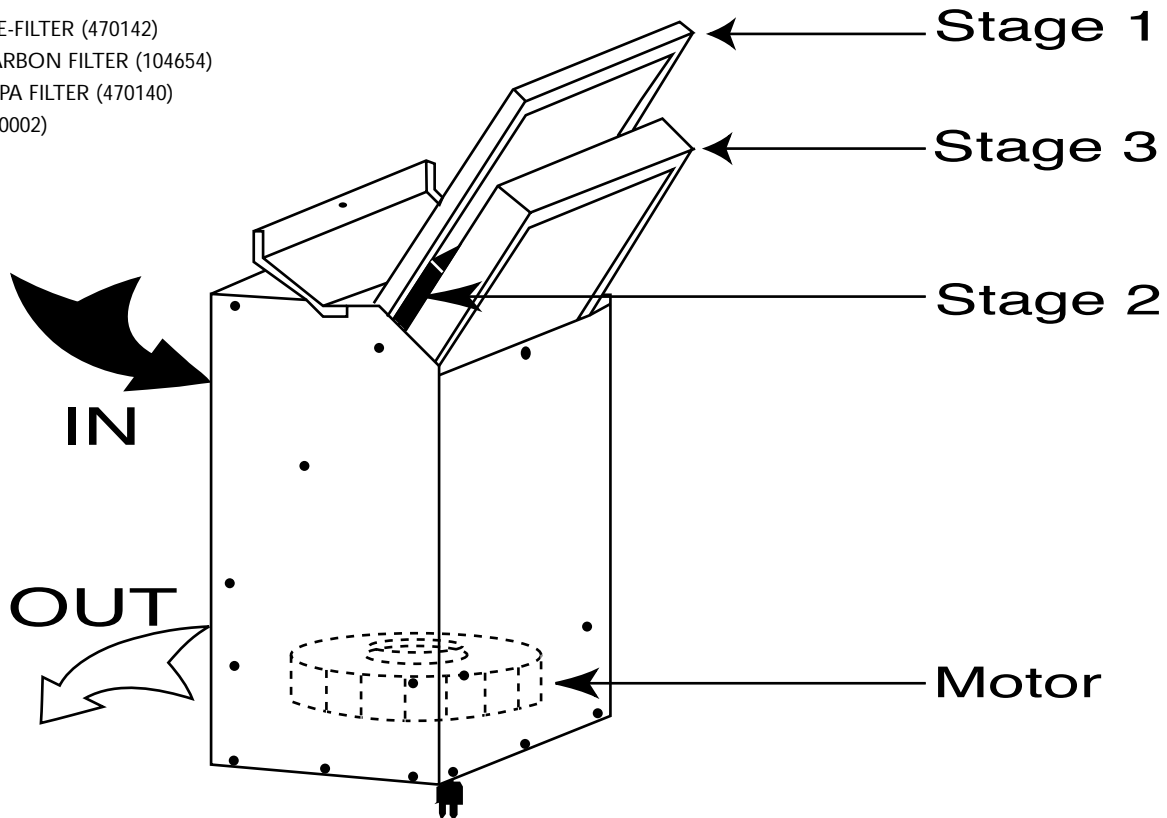
3. Attach HEPA unit to mounting plate with screws.

SERVICE

The useful service life of the filter media in the HEPA Filtration System is directly related to the volume of air passed through the system and the amount of contaminants in the air. In a typical residential application, Stage 1 and 2, filters should be replaced every three to six months or when needed. The Stage 3 HEPA filter should have a life span of two to five years, again, depending on the amount of particulate in the air and the maintenance of the Stage 1 pre-filter.

PARTS LIST

STAGE 1 - PRE-FILTER (470142)
STAGE 2 - CARBON FILTER (104654)
STAGE 3 - HEPA FILTER (470140)
MOTOR - (500002)



Stage 1 - Prefilter: Air passes through the prefilter where larger particles are taken out of the air.

Stage 2 - Carbon: Air passes through the carbon filter where some gases and odors are removed.

Stage 3 - HEPA: Air passes through the certified HEPA media where very small particles are removed. 99.97% of all particles 0.3 microns and larger that pass through this stage are removed. Particles smaller than 0.3 microns are also removed with less intensity.

If the air flow through your unit is noticeably reduced, you can inspect the HEPA filter by removing it and seeing if the filter paper is darkened on the inlet or outer side. If it is, the filter cartridge should be replaced.

Please contact your local Fantech dealer or call HEPA Customer Service at 1.800.565.3548 regarding replacement of filter media, warranty information or if you have any questions or concerns about the performance of your HEPA Filtration System.



Fantech

Technical support hotline 1.800.565.3548

Ontario & Western Canada

10-6665 Tomken Road
Mississauga, Ontario Canada L5T 2C4
(T) 1.800.407.6195 • (F) 1.800.407.8965
(T) 1.905.696.9235 • (F) 1.905.696.9236

Québec & Atlantic Provinces

50 Kanalfakt Way • Bouctouche, NB, Canada E4S 3M5
(T) 1.800.565.3548 • (F) 1.877.747.8116
(T) 1.506.743.9500 • (F) 1.506.743.9600

www.fantech.net
info@fantech.net

