



## RESIDENTIAL GAS REPLACEMENT PARTS LIST

### Through-The-Wall (TTW2) Energy Saver (MII) Models



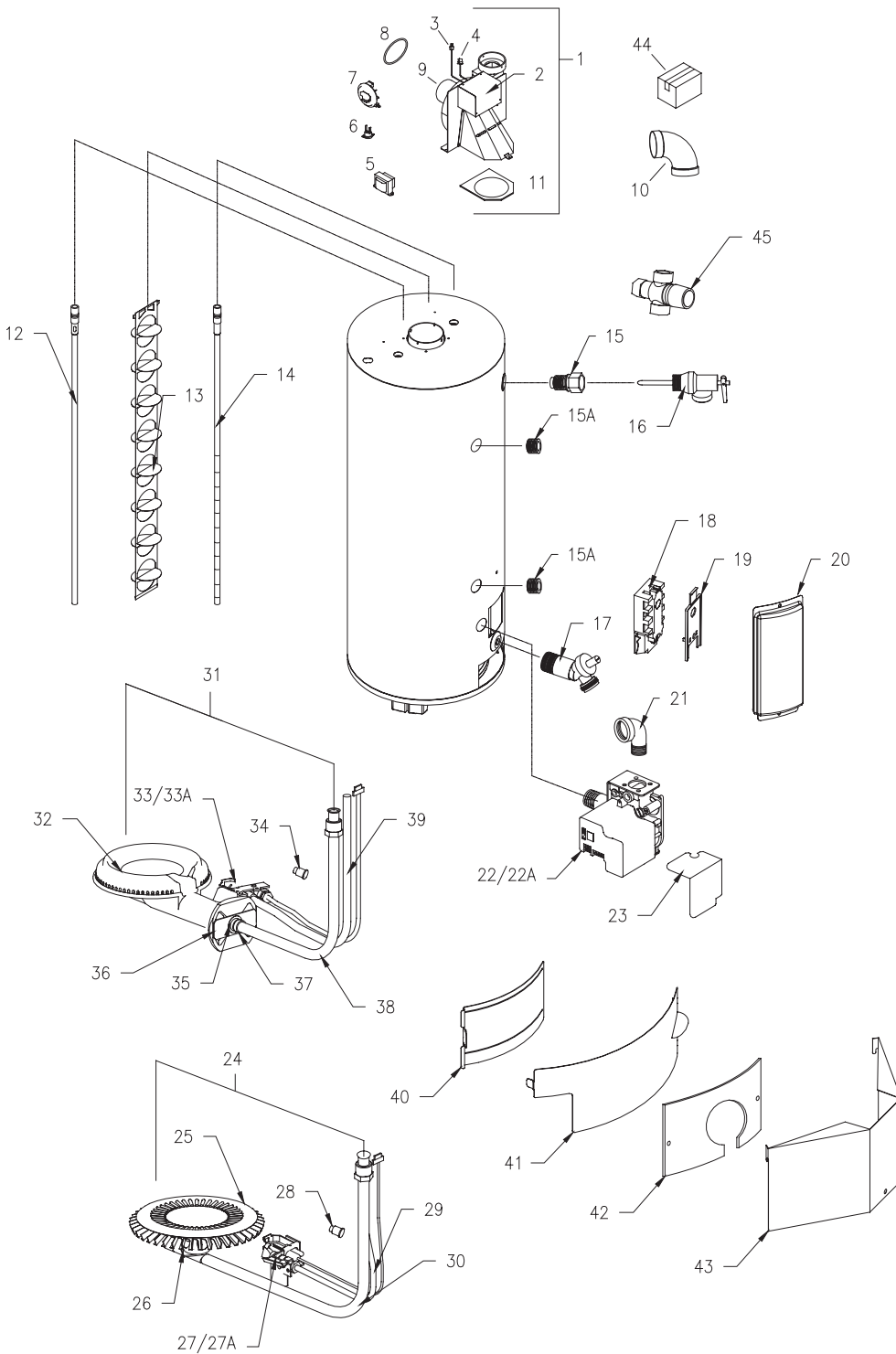
**Includes Hydrojet® Total  
Performance System**

**Dash Ten  
(-10) Models**

***Effective: May 31, 2000***

**NOTE: BOTH MODEL AND  
SERIAL NUMBER ARE  
REQUIRED FOR ORDERING  
REPLACEMENT PARTS**

Dimensions and specifications subject  
to change without notice.



**Reference Number & Description**

- 1 Blower and Motor Assembly
- 2 Junction Box Cover
- 3 10' Power Cord
- 4 Blower Assembly Harness
- 5 Transformer
- 6 E.C.O. Hi-Limit Switch
- 7 Pressure Switch
- 8 Blower Motor Gasket
- 9 Blower Motor Only
- 10 Elbow Vent Terminal
- 11 Blower Vent Gasket
- 12 Hot Water Outlet/Anode
- 13 Flue Baffle
- 14 Cold Water Inlet Tube
- 15 T&P Extender
- 15A 3/4 NPT Zinc Plated Plug
- 16 T&P Valve
- 17 Drain Valve
- 18 Thermostat
- 19 Thermostat Cover
- 20 Thermostat Cover Plate
- 21 Street Elbow
- 22 Gas Valve (natural gas)
- 22A Gas Valve (LP gas)
- 23 Impact Cover
- 24 Burner Assembly Complete
- 25 Burner Only
- 26 Main Burner Orifice
- 27 Pilot Assembly (natural gas)
- 27A Flame Sensor & Hot Surface Igniter Only
- 28 Pilot Orifice
- 29 Pilot Tubing
- 30 Main Gas Feed Line
- 31 Burner Assembly Complete
- 32 Cast Iron Burner Only
- 33 Pilot Assembly
- 33A Flame Sensor & Hot Surface Igniter Only
- 34 Pilot Orifice
- 35 Spring Washer
- 36 Air Shutter
- 37 Main Burner Orifice
- 38 Main Gas Feed Line
- 39 Pilot Tube
- 40 Inner Door
- 41 Outer Door
- 42 Inner Door (75 gallon only)
- 43 Outer Door (75 gallon only)
- 44 Power Cord Conversion Kit
- 45 Tempering Valve (optional)

### Parts Common To MIITW50T\*(LN,EN,CX)-10 Models

Reference Number and Description	Part Number
1 Complete Blower & Motor Assembly**	239-40614-00
2 Junction Box Cover	239-40777-00
3 10' Power Cord	239-40700-00
4 Blower Assembly Harness	239-40699-00
5 Transformer 120V (40VA)	233-40753-00
6 E.C.O. Hi-Limit Switch 36T11	233-42738-00
7 Pressure Switch (MPL) Kit	265-43936-00
8 Blower Motor Gasket	239-60126-00
9 Blower Motor Only	239-40778-00
10 Elbow Vent Terminal	239-40579-00
11 Blower Vent Gasket	239-41642-01
12 Hot Water Outlet / Anode (Magnesium)	224-32731-86
13 Flue Baffle	239-40552-00
14 Cold Water Inlet Tube	229-39625-17
15 T&P Valve Extender	229-19100-00
15A 3/4 NPT Zinc Plated Plug	239-11638-00
16 T&P Valve	265-32920-01
17 Drain Valve	227-42351-02
18 Thermostat (Thermo-Disc 89T13)	265-42034-00
19 Thermostat Cover	223-40399-00
20 Thermostat Cover Plate	243-36618-02
21 Street Elbow	239-40779-00
40 Inner Door	243-36739-02
41 Outer Door	243-41061-00
44 Power Cord Conversion Kit**	243-41889-00

#### Optional Parts Reference Number and Description

12 Hot Water Outlet / Anode (Aluminum)	224-32999-21
14 Cold Water Inlet Tube (Hi temp) (NC Code)	229-39628-17
45 Tempering Valve	239-43740-01

### Parts Unique To MIITW50T\*(LN,EN)-10

Reference Number and Description	Part Number
22 Natural Gas Smart Valve	222-40762-01
23 Impact Cover	239-40896-00
24 Complete Nat Gas Burner Assembly	243-41332-01
25 Burner Only	228-41192-00
26 Main Burner Orifice	234-41034-27
27 Pilot Assy. w/Flame sensor & Hot Surface Igniter	233-40752-00
27A Flame Sensor & Hot Surface Igniter Only	239-40918-00
28 Natural Gas Pilot Orifice	234-60124-00
29 Pilot Tubing	233-33039-02
30 Main Gas Feedline	233-40783-01

### Parts Unique To MIITW50T\*CX10

Reference Number and Description	Part Number
22A LP Gas Smart Valve	222-40762-02
23 Impact Cover	239-40896-00
31 Complete LP gas Burner Assembly	243-40815-01
32 Cast Iron Burner Only	228-14173-00
33 Pilot Assy. w/Flame sensor & Hot Surface Igniter	233-40751-02
33A Flame Sensor & Hot Surface Igniter Only	239-40918-00
34 LP Gas Pilot Orifice	234-60125-00
35 Spring Washer	239-40729-00
36 Air Shutter	239-35466-00
37 Main Burner Orifice	234-35928-43
38 Main Gas Feedline	233-40919-01
39 Pilot Tubing	233-33039-02

\* Applies to all warranties

\*\* Power cord kit 243-41889-00 required with blower assembly for models with serial number prior to WB

### Parts Common To MIITW65T\*EN(CX)-10 Models

Reference Number and Description	Part Number
1 Complete Blower & Motor Assembly**	239-40614-00
2 Junction Box Cover	239-40777-00
3 10' Power Cord	239-40700-00
4 Blower Assembly Harness	239-40699-00
5 Transformer 120V (40VA)	233-40753-00
6 E.C.O. Hi-Limit Switch 36T11	233-42738-00
7 Pressure Switch (MPL) Kit	265-43936-00
8 Blower Motor Gasket	239-60126-00
9 Blower Motor Only	239-40778-00
10 Elbow Vent Terminal	239-40579-00
11 Blower Vent Gasket	239-41642-01
12 Hot Water Outlet / Anode (Magnesium)	224-32731-83
13 Flue Baffle	239-40552-00
14 Cold Water Inlet Tube	229-39625-08
15A 3/4 NPT Zinc Plated Plug	239-11638-00
16 T&P Valve	265-32920-01
17 Drain Valve	227-42351-01
18 Thermostat (Thermo-Disc 89T13)	265-42034-00
19 Thermostat Cover	223-40399-00
20 Thermostat Cover Plate	243-36618-02
21 Street Elbow	239-40779-00
42 Inner Door	243-36739-02
43 Outer Door	243-41061-00
44 Power Cord Conversion Kit**	243-41889-00

#### Optional Parts Reference Number and Description

12 Hot Water Outlet / Anode (Aluminum)	224-32999-06
14 Cold Water Inlet Tube (Hi temp) (NC Code)	229-39628-08
45 Tempering Valve	239-43740-01

### Parts Unique To MIITW65T\*EN-10

Reference Number and Description	Part Number
22 Natural Gas Smart Valve	222-40762-01
23 Impact Cover	239-40896-00
24 Complete Nat Gas Burner Assembly	243-41240-01
25 Burner Only	228-41192-00
26 Main Burner Orifice	234-41034-27
27 Pilot Assy. w/Flame sensor & Hot Surface Igniter	233-40752-00
27A Flame Sensor & Hot Surface Igniter Only	239-40918-00
28 Natural Gas Pilot Orifice	234-60124-00
29 Pilot Tubing	233-33039-02
30 Main Gas Feedline	233-41180-00

### Parts Unique To MIITW65T\*CX10

Reference Number and Description	Part Number
22A LP Gas Smart Valve	222-40762-02
23 Impact Cover	239-40896-00
31 Complete LP gas Burner Assembly	243-40815-05
32 Cast Iron Burner Only	228-14173-00
33 Pilot Assy. w/Flame sensor & Hot Surface Igniter	233-40751-02
33A Flame Sensor & Hot Surface Igniter Only	239-40918-00
34 LP Gas Pilot Orifice	234-60125-00
35 Spring Washer	239-40729-00
36 Air Shutter	239-35466-00
37 Main Burner Orifice	234-35928-43
38 Main Gas Feedline	233-40919-03
39 Pilot Tubing	233-33039-03

## Parts Common To MITW75T\*CN(CX)-10 Models

Reference Number and Description	Part Number
1 Complete Blower & Motor Assembly**	239-40614-00
2 Junction Box Cover	239-40777-00
3 10' Power Cord	239-40700-00
4 Blower Assembly Harness	239-40699-00
5 Transformer 120V (40VA)	233-40753-00
6 E.C.O. Hi-Limit Switch 36T11	233-42738-00
7 Pressure Switch (MPL) Kit	265-43936-00
8 Blower Motor Gasket	239-60126-00
9 Blower Motor Only	239-40778-00
10 Elbow Vent Terminal	239-40579-00
11 Blower Vent Gasket	239-41642-01
12 Hot Water Outlet / Anode (Magnesium)	224-32731-83
13 Flue Baffle	239-40552-00
14 Cold Water Inlet Tube	229-39625-08
15 T&P Valve Extender	229-19100-00
15A 3/4 NPT Zinc Plated Plug	239-11638-00
16 T&P Valve	265-32920-01
17 Drain Valve	227-42351-02
18 Thermostat (Thermo-Disc 89T13)	265-42034-00
19 Thermostat Cover	223-40399-00
20 Thermostat Cover Plate	243-36618-02
21 Street Elbow	239-40779-00
42 Inner Door	243-39207-00
43 Outer Door	243-37177-00
44 Power Cord Conversion Kit**	243-41889-00

### Optional Parts Reference Number and Description

12 Hot Water Outlet / Anode (Aluminum)	224-32999-06
14 Cold Water Inlet Tube (Hi temp) (NC Code)	229-39628-08
45 Tempering Valve	239-43740-01

## Parts Unique To MITW75T\*CN-10

Reference Number and Description	Part Number
22 Natural Gas Smart Valve	222-40762-01
23 Impact Cover	239-40896-00
31 Complete Natural Gas Burner Assembly	243-40797-01
32 Cast Iron Burner Only	228-14173-00
33 Pilot Assy. w/Flame sensor & Hot Surface Igniter	233-40751-01
33A Flame Sensor & Hot Surface Igniter Only	239-40918-00
34 Natural Gas Pilot Orifice	234-60124-00
35 Spring Washer	239-40729-00
36 Air Shutter	239-35466-00
37 Main Burner Orifice	234-18194-23
38 Main Gas Feedline	233-40268-07
39 Pilot Tubing	233-33039-03

## Parts Unique To MITW75T\*CX10

Reference Number and Description	Part Number
22A LP Gas Smart Valve	222-40762-02
23 Impact Cover	239-40896-00
31 Complete LP gas Burner Assembly	243-40815-02
32 Cast Iron Burner Only	228-14173-00
33 Pilot Assy. w/Flame sensor & Hot Surface Igniter	233-40751-02
33A Flame Sensor & Hot Surface Igniter Only	239-40918-00
34 LP Gas Pilot Orifice	234-60125-00
35 Spring Washer	239-40729-00
36 Air Shutter	239-35466-00
37 Main Burner Orifice	234-35928-41
38 Main Gas Feedline	233-40919-02
39 Pilot Tubing	233-33039-03

\* Applies to all warranties

\*\* Power cord kit 243-41889-00 required with blower assembly for models with serial number prior to WB



**BRADFORD WHITE®**

C O R P O R A T I O N

Ambler, PA

Sales/800-538-2020

800-532-4020

*Fax/215-641-1670*

Service/800-334-3393

*Fax/269-795-1089*

Warranty/800-531-2111

*Fax/269-795-1089*

**International:**

Telephone/215-641-9400

*Telefax/215-641-9750*

**Fax on Demand:**

**888-538-7833**



**BRADFORD WHITE-CANADA™ INC.**

Mississauga, ON

Sales/866-690-0961

905-238-0100

*Fax/905-238-0105*

Service/800-334-3393

Email

[parts@bradfordwhite.com](mailto:parts@bradfordwhite.com)

[techserv@bradfordwhite.com](mailto:techserv@bradfordwhite.com)

[bradfordwhite.com](http://bradfordwhite.com)

[bradfordwhitecanada.com](http://bradfordwhitecanada.com)