



## RESIDENTIAL GAS REPLACEMENT PARTS LIST

### Through-The-Wall (TTW1) Energy Saver (MI) Models



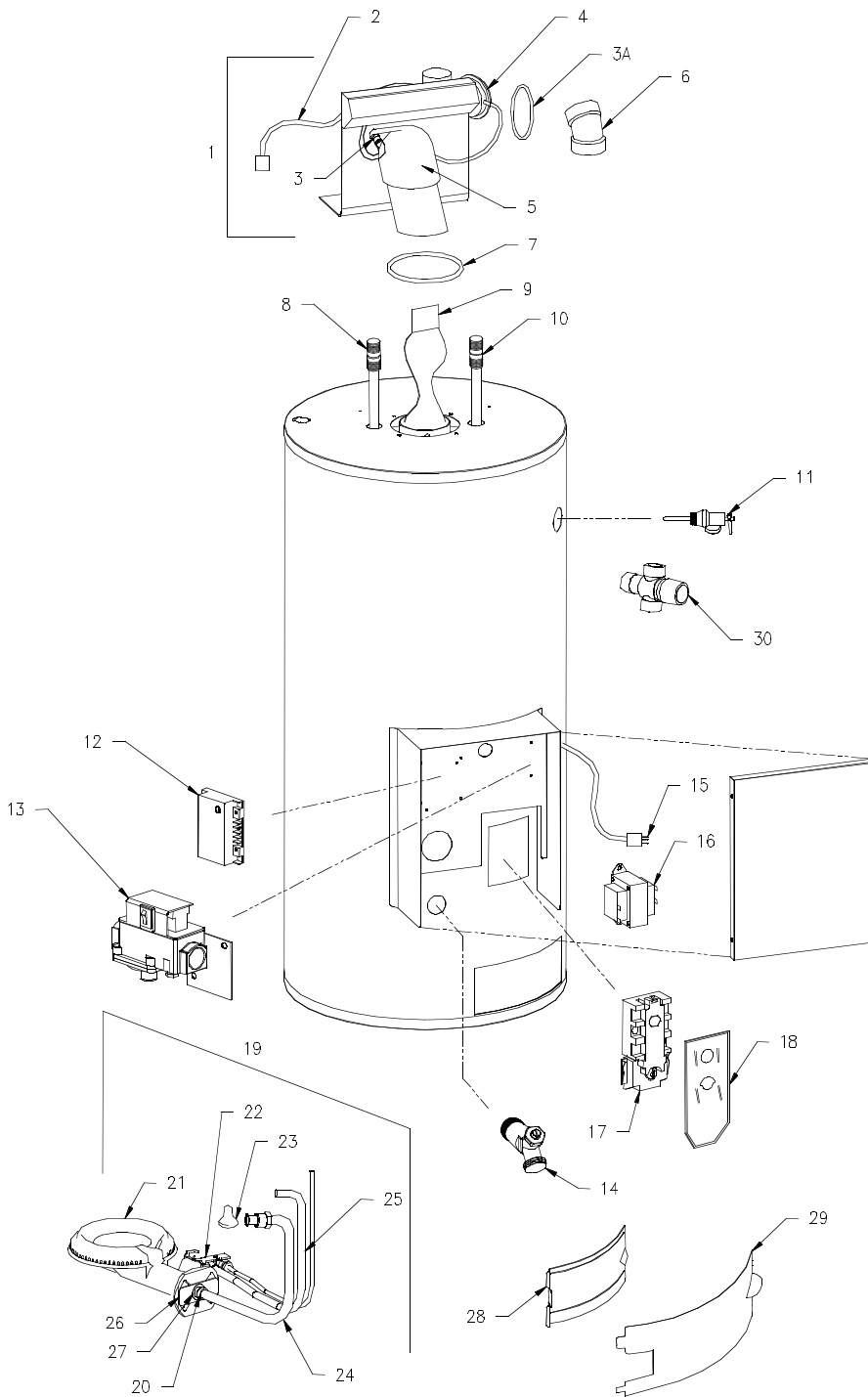
**Includes Hydrojet<sup>®</sup> Total  
Performance System**

**Dash Ten  
(-10) Models**

***Effective: October 15, 2002***

**NOTE: BOTH MODEL AND  
SERIAL NUMBER ARE  
REQUIRED FOR ORDERING  
REPLACEMENT PARTS**

Dimensions and specifications subject  
to change without notice.



**Reference Number & Description**

- 1 Blower Assembly Complete
- 2 Blower assembly Cord Set
- 3 Temperature Switch
- 3A Blower Gasket
- 4 Pressure Switch
- 5 Pressure Tube
- 6 Terminal Vent
- 7 Blower Gasket
- 8 Hot Water Outlet/Anode
- 9 Flue Baffle
- 10 Cold Water Inlet Tube
- 11 T&P Relief Valve
- 12 Electronic Module
- 13 Gas Valve
- 14 Brass Drain Valve
- 15 Power Cord
- 16 Transformer
- 17 Thermostat
- 18 Thermostat Cover
- 19 Cast Iron Burner Complete
- 20 Main Burner Orifice
- 21 Cast Iron Burner Only
- 22 Pilot Assembly
- 23 Pilot Orifice
- 24 Gas Feed Line
- 25 Aluminum Pilot Tube
- 26 Air Shutter
- 27 Washer Spring Crescent
- 28 Inner Door
- 29 Outer Door
- 30 Tempering Valve (Optional)

## Parts Common To MITW40L\*LN(CX)-10 Models

Reference Number and Description	Part Number
1 Blower Assembly Complete	239-39785-00
2 Blower Assembly Cord Set	239-39764-00
3 Temperature Switch	233-41831-00
3A Blower Gasket**	239-39792-00
4 Pressure Switch	239-39787-00
5 Pressure Tube	239-39384-00
6 Terminal Vent 2" PVC (45° w/screen)	239-39831-00
7 Blower Gasket	239-39765-00
8 Hot Water Outlet/Anode Magnesium	224-32731-81
9 Flue Baffle	243-39998-00
10 Cold Water Inlet Tube (Hydrojet)	229-39625-04
11 T&P Relief Valve	265-32920-01
12 Electronic Module	265-39949-00
14 Drain Valve Brass	227-42351-02
15 Power Cord	239-39772-00
16 Transformer 120V	233-39758-00
17 Thermostat-89T13	265-42034-00
18 Thermostat Cover	223-40399-00
28 Inner Door	243-36739-02
29 Outer Door	243-41061-00

### Optional Parts Reference Number and Description

8 Hot Water Outlet/Anode Aluminum	224-32999-10
10 Cold Water Inlet Tube (Hi temp)	229-39628-04
30 Tempering Valve	239-43740-01

## Parts Unique To MITW40L\*LN-10

Reference Number and Description	Part Number
13 Gas Valve (nat) SCP-SC300 NES	265-40148-01
19 Replacement Cast Iron Burner Complete***	243-43580-01
20 Main Burner Orifice	234-18194-32
21 Cast Iron burner Only	228-14173-00
22 Pilot Assembly Complete (nat)	243-43579-00
23 Pilot Orifice (nat)	234-33098-03
24 Gas Feed Line	233-43576-01
25 Aluminum Pilot Tube	233-33039-03
26 Air Shutter	243-35466-00
27 Washer Spring Crescent	239-40729-00

### Optional High Altitude Orifice

20 High Altitude Orifice 2000 Ft. to 5000 Ft.	234-18194-36
20 High Altitude Orifice 5000 Ft. to 8000 Ft.	234-18194-38
20 High Altitude Orifice Over 8000 Ft.	234-18194-38

## Parts Unique To MITW40L\*CX10

Reference Number and Description	Part Number
13 Gas Valve (LP)	265-40148-02
19 Complete Cast Iron Burner Assembly	243-39847-01
20 Main Burner Orifice	234-35928-50
21 Cast Iron Burner Only	228-14173-00
22 Pilot Assembly Complete	233-41300-01
23 Pilot Orifice	N/A
24 Gas Feed Line	233-39774-01
25 Aluminum Pilot Tube	233-33039-02
26 Air Shutter	243-35466-00
27 Washer Spring Crescent	239-40729-00

### Optional High Altitude Orifice

20 High Altitude Orifice 2000 Ft. to 5000 Ft.	234-35928-51
20 High Altitude Orifice 5000 Ft. to 8000 Ft.	234-35928-52
20 High Altitude Orifice Over 8000 Ft.	234-35928-53

\* Applies to all warranties

\*\* A t-25 torx head driver may be required to remove gasket.

\*\*\* Sheet metal burner no longer available

## Parts Common To MITW50L\*LN(CX)-10 Models

Reference Number and Description	Part Number
1 Blower Assembly Complete	239-39785-00
2 Blower Assembly Cord Set	239-39764-00
3 Temperature Switch	233-41831-00
3A Blower Gasket**	239-39792-00
4 Pressure Switch	239-39787-00
5 Pressure Tube	239-39384-00
6 Terminal Vent 2" PVC (45° w/screen)	239-39831-00
7 Blower Gasket	239-39765-00
8 Hot Water Outlet/Anode Magnesium	224-32731-81
9 Flue Baffle	243-39998-00
10 Cold Water Inlet Tube (Hydrojet)	229-39625-04
11 T&P Relief Valve	265-32920-01
12 Electronic Module	265-39949-00
14 Drain Valve Brass	227-42351-02
15 Power Cord	239-39772-00
16 Transformer 120V	233-39758-00
17 Thermostat-89T13	265-42034-00
18 Thermostat Cover	223-40399-00
28 Inner Door	243-36739-02
29 Outer Door	243-41061-00

### Optional Parts Reference Number and Description

8 Hot Water Outlet/Anode Aluminum	224-32999-10
10 Cold Water Inlet Tube (Hi temp)	229-39628-04
30 Tempering Valve	239-43740-01

## Parts Unique To MITW50L\*LN-10

Reference Number and Description	Part Number
13 Gas Valve (nat) SCP-SC300 NES	265-40148-01
19 Replacement Cast Iron Burner Complete***	243-43580-02
20 Main Burner Orifice	234-18194-32
21 Cast Iron burner Only	228-14173-00
22 Pilot Assembly Complete (nat)	243-43579-00
23 Pilot Orifice (nat)	234-33098-03
24 Gas Feed Line	233-43576-02
25 Aluminum Pilot Tube	233-33039-03
26 Air Shutter	243-35466-00
27 Washer Spring Crescent	239-40729-00

### Optional High Altitude Orifice

20 High Altitude Orifice 2000 Ft. to 5000 Ft.	234-18194-36
20 High Altitude Orifice 5000 Ft. to 8000 Ft.	234-18194-38
20 High Altitude Orifice Over 8000 Ft.	234-18194-38

## Parts Unique To MITW50L\*CX10

Reference Number and Description	Part Number
13 Gas Valve (LP)	265-40148-02
19 Complete Cast Iron Burner Assembly	243-39847-02
20 Main Burner Orifice	234-35928-50
21 Cast Iron Burner Only	228-14173-00
22 Pilot Assembly Complete	233-41300-01
23 Pilot Orifice	N/A
24 Gas Feed Line	233-39774-02
25 Aluminum Pilot Tube	233-33039-02
26 Air Shutter	243-35466-00
27 Washer Spring Crescent	239-40729-00

### Optional High Altitude Orifice

20 High Altitude Orifice 2000 Ft. to 5000 Ft.	234-35928-51
20 High Altitude Orifice 5000 Ft. to 8000 Ft.	234-35928-52
20 High Altitude Orifice Over 8000 Ft.	234-35928-53



# **BRADFORD WHITE®**

C O R P O R A T I O N

Ambler, PA

**Sales/800-538-2020**

**800-532-4020**

**Fax/215-641-1670**

**Service/800-334-3393**

**Fax/269-795-1089**

**Warranty/800-531-2111**

**Fax/269-795-1089**

**International:**

**Telephone/215-641-9400**

**Telefax/215-641-9750**

**Fax on Demand:**

**888-538-7833**



## **BRADFORD WHITE-CANADA™ INC.**

Mississauga, ON

**Sales/866-690-0961**

**905-238-0100**

**Fax/905-238-0105**

**Service/800-334-3393**

Email

**parts@bradfordwhite.com**

**techserv@bradfordwhite.com**

**bradfordwhite.com**

**bradfordwhitecanada.com**