



BRADFORD WHITE®

TTW1®

Residential Through-The-Wall Gas Water Heater



Features



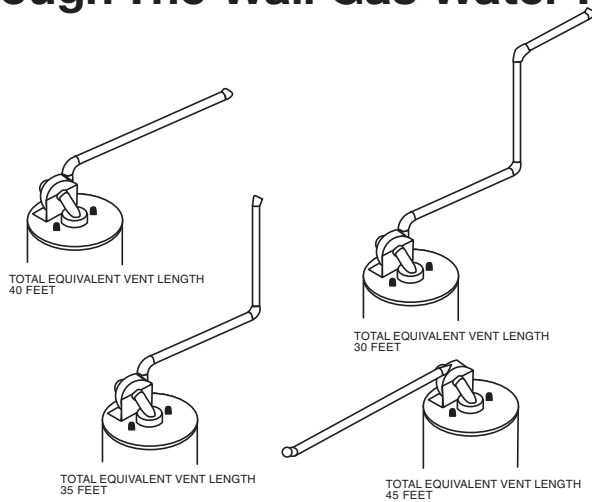
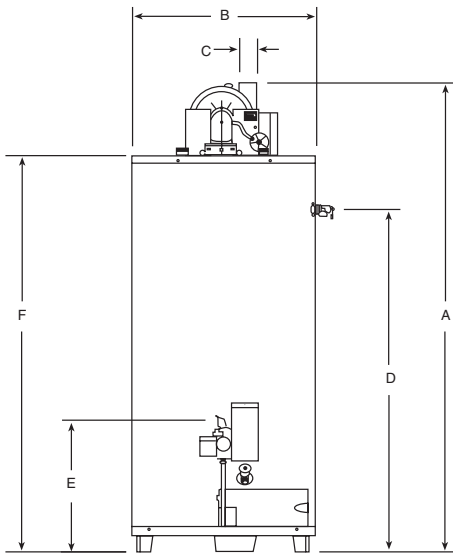
Bradford White is ISO registered to the 9001 standard.

- **Power vented for positive exhaust during main burner operation**—the TTW1 uses a specially designed assembly that blows exhaust gases directly out of the building, eliminating the need for conventional chimneys or expensive flue systems.
- **Optional Blower Orientation**—blower/motor assembly can be rotated to allow for direct horizontal discharge of exhaust gases.
- **Electronic ignition system**—electronic ignition eliminates the constant burning pilot used on other water heaters. This device results in savings of pilot gas during standby periods. (115V AC required to heater) Ignition system operates off of 24 volts.
- **2" PVC, ABS & CPVC (51 mm) vent**—the water heater can be vented horizontally with 2" PVC, ABS & CPVC (51mm) for lengths up to 30 feet (9m) with (3) 90° elbows. (45 equivalent feet) (13.5m).
- **3" PVC, ABS & CPVC (76 mm) vent**—can be vented horizontally with 3" PVC, ABS & CPVC (76mm) for lengths up to 90 feet (27.4m) with (3) 90° elbows. (105 equivalent feet) (32m).
- **Vertical venting through the roof**—the water heater can be vented through the roof at a vertical height of 22 feet (6.7m) when using 2" PVC, ABS & CPVC (51mm) and 40 feet (12m) when using 3" PVC, ABS & CPVC (76mm).
- **Vitraglas® lining**—Bradford White water heater tanks are protected from the corrosive effects of hot water by an exclusive ceramic porcelain-like coating. The Bradford White high silica Vitraglas® lining provides a tough interior surface for our hot water tanks.
- **Protective magnesium rod**—provides added protection against corrosion for long trouble-free service.
- **Factory installed Hydrojet® Total Performance System**—cold inlet sediment reducing device. Helps prevent sediment build up in tank. Increases first hour delivery of hot water while minimizing temperature build up at top of tank.
- **Heat Traps**—factory installed, minimizes heat loss through piping.
- **Water Connections**—3/4" NPT factory installed true dielectric fittings. Extends water heater life and eases installation.
- **1" Non-CFC foam insulation**—covers the sides and top of tank to save energy by retarding loss of heat. Also increases jacket rigidity.
- **Fully automatic controls**—fast acting surface-mount thermostat for automatic temperature control. Built-in energy cut-off switch prevents abnormally high water temperature for extra safety. Combination gas valve has built-in gas pressure regulation and operates off of a 24 volt circuit.
- **Brass drain valve**
- **T&P relief valve included**
- **Flue baffle**—designed to maximize the amount of heat absorbed in the lower portion of tank. Reduces air movement in the water heater during standby periods to retard heat loss up the flue.
- **Six or ten year limited warranty on steel tank**—heavy gauge steel automatically formed, rolled and welded to assure a continuous seam for glass lining.
- **Six year limited warranty on parts.**
- **Design certified by CSA International (formerly AGA and CGA).**

MANUFACTURED UNDER ONE OR MORE OF THE FOLLOWING U.S. PATENTS: 5,954,492; 5,761,379; 5,943,984; 5,081,696; 5,988,117; 6,142,216; 5,199,385; 6,684,821; 5,574,822; 5,372,185; 5,485,879; 5,277,171; (B)5,341,770; 5,660,165; 5,596,952; 5,682,666; 4,904,428; 5,023,031; 5,000,893; 4,669,448; 4,829,983; 4,808,356; 5,115,767; 5,092,519; 5,052,346; 4,416,222; 4,628,184; 4,861,968; 4,672,919; Re. 34,534. OTHER U.S. AND FOREIGN PATENT APPLICATIONS PENDING. CURRENT CANADIAN PATENTS: 1,272,914; 1,280,043; 1,289,832; 2,045,862; 2,112,515; 2,108,186; 2,107,012, 2,092,105.



Through-The-Wall Gas Water Heater



Energy Saver Models

Meet or exceed ASHRAE Standard 90.1b (Current Standard). CEC Listed 80% Recovery Efficiency

NATURAL GAS	Model Number	Imp. Gal. Cap.	U.S. Gal. Cap.	Liters	KW Input	BTU Input	Recovery Per Hour 50°C Rise/ 90°F Rise*			A Floor to Flue Conn. In. mm	B Jacket Dia. In. mm	C Vent Size In. mm	D Floor to T&P Conn. In. mm	E Floor to Gas Conn. In. mm	F Floor to Top Heater In. mm	Approx. Shipping Weight					
							Imp. Gal.	U.S. Gal.	Liters/Hr							lbs.	kg				
	M-I-TW-40L6BN ^(LP)	33	40	151	11.7	40,000	36	43	163	58½	1473	2	51	41¼	1060	14	425	49	1245	166	75
	M-I-TW-50L6BN ^(LP)	40	48	182	11.7	40,000	36	43	163	58½	1473	2	51	41¼	1060	14	425	49	1245	185	84

All propane heaters equipped with cast iron burner.
To order a propane heater change suffix "BN" to "CX".
*Based on manufacturers rated recovery efficiency
110 V.A.C. Required for Power Venting (60 HZ, 2.1 Amps)

^(LP) Propane Gas Inputs		Recovery Per Hour at 50°C Rise and 90°F Rise			
		Imp Gal.	US Gal.	Liters/Hr	
M-I-TW40L6CX	11.0 KW	37,500 BTU/Hr	33	40	151
M-I-TW50L6CX	11.0 KW	37,500 BTU/Hr	33	40	151

MAX. HORZ. VENT†

2" PVC, ABS & CPVC (51mm) 30 ft. (9m)
3" PVC, ABS & CPVC (76mm) 90 ft. (27.4m)
3-90° elbows

MAX. VERT. VENT†

2" PVC, ABS & CPVC (51mm) 22 ft. (6.7m)
3" PVC, ABS & CPVC (76mm) 40 ft. (12m)
3-90° elbows

†Note: For high altitudes installations, consult installation instructions.

General

All gas water heaters are certified at 300 PSI (2068 kPa) test pressure and 150 PSI (1034 kPa) working pressure. All water connections are ¾" (19mm) NPT on 8" (203mm) centers, all gas connections ½" (13mm). All models design certified by CSA International, (formerly AGA and CGA), ANSIZ-21.10.1 and peak performance rated.

Meets NAECA requirements.

Dimensions and specifications subject to change without notice in accordance with our policy of continuous product improvement.

6-Year Limited Warranty on Component Parts

BRADFORD WHITE CORPORATION has a 6-year warranty on replaceable parts- thermostat, burner, dip tube, drain valve, blower assembly. These quality components are manufactured for us by industry leaders and will be replaced in the event of failure during the parts warranty period (exclusive of shipping and re-installation cost.)§

6 or 10-Year Limited Tank Warranties

BRADFORD WHITE CORPORATION LIMITED WARRANTY: Protects your investment in a quality glass-lined heater. If the tank leaks for reasons of faulty materials, workmanship, or corrosion within the warranty period, the heater will be replaced with a comparable heater of our manufacture (exclusive of shipping and re-installation cost.)§

§ Some states do not allow limitations on warranties. For products installed in the USA, Canada and Puerto Rico. See complete copy of the warranty included with the heater.

Vitraglas® and Hydrojet® are registered trademarks of Bradford White® Corporation.

©2005, Bradford White Corporation. All rights reserved.

Suitable for Water (Potable) Heating and Space Heating

Toxic chemicals, such as those used for boiler treatment, shall NEVER be introduced into this system. This unit may NEVER be connected to any existing heating system or component(s) previously used with a non-potable water heating appliance.

BRADFORD WHITE
CORPORATION
Ambler, PA

For U.S. and Canada field service, contact your professional installer or local Bradford White sales representative.

Sales/800-523-2931
Fax/215-641-1670

Technical Support/800-334-3393
Fax/269-795-1089

Warranty/800-531-2111
Fax/269-795-1089

International:
Telephone/215-641-9400
Telefax/215-641-9750

Fax on Demand:
888-538-7833

www.bradfordwhite.com

BRADFORD WHITE-CANADA INC.
Mississauga, ON

Sales/Technical Support
866-690-0961
905-238-0100

Fax/905-238-0105

www.bradfordwhitecanada.com

Count On Bradford White
For Everything Hot Water